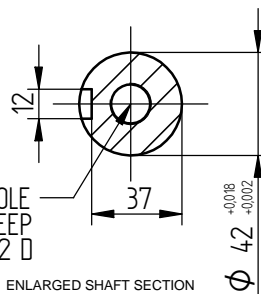
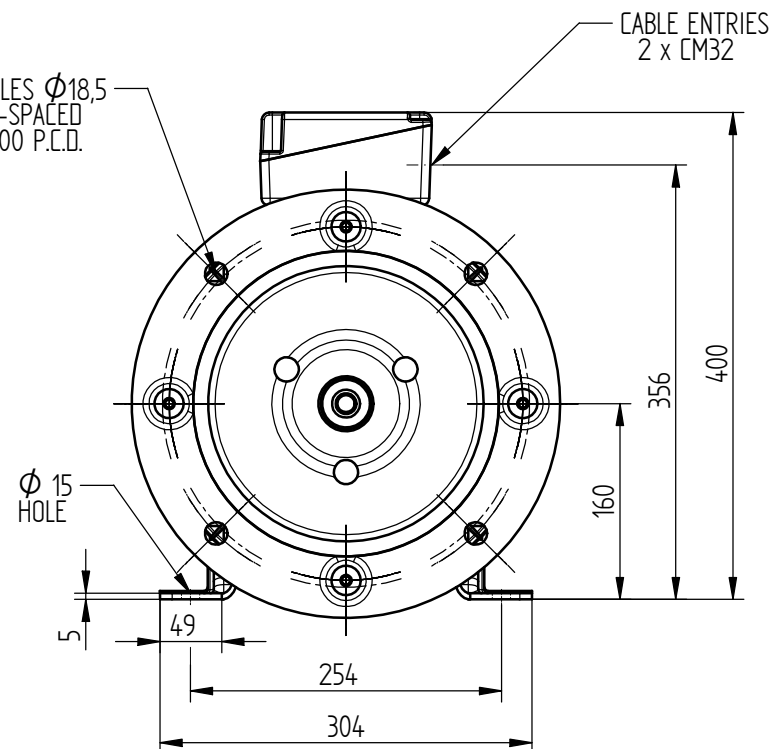


4 HOLES $\phi 18,5$
EQUI-SPACED
ON 300 P.C.D.



TAPPED HOLE
M16x36 DEEP
TO DIN 332 D

ENLARGED SHAFT SECTION

TERMINAL BOX POSITION: CAN BE ARRANGED AT EITHER 9,12 OR 3 O'CLOCK.
STANDARD TERMINAL BOX POSITION IS 12 O'CLOCK AS SHOWN.
CONDUIT ENTRIES:- TERMINAL BOX CAN BE ROTATED AT 90° INTERVALS
(CONDUIT ENTRY POSITION SHOWN FOR ILLUSTRATION ONLY).

ALL DIMENSIONS IN MILLIMETERS

FIRST ANGLE
PROJECTION

BROOK
CROMPTON

Produced by **Tamel** S.A. a company of **ATB**

SHEET SIZE A3	TITLE:	NAME	DATE	DRG. No.	W41GH0154T	
	OUTLINE DIMENSION DRAWING W ALUMINIUM TOTALLY ENCLOSED FAN COOLED 160L/M FRAME FOOT AND D FLANGE MOUNTED MOTOR	JM	21-04-11	DRG. REF.		
				REVISION:		DATE:

DRAWN	JM	21-04-11
CHECKED		
SCALE	1 : 4	